

1905 Maxlok

Steel - Truss head

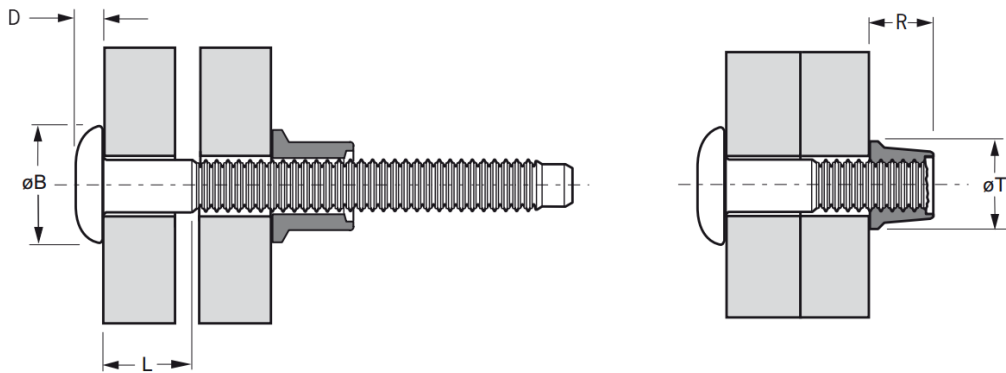
4.8 mm (3/16") - 6.4 mm (1/4")

Features

- Multi grip capability reduces inventory, simplifies stock control, and accommodates wide variations in material thickness
- High shear strength for high strength assembly
- High, controlled clamp provides excellent vibration resistance
- Quick to install across a wide range of applications
- Easy to inspect tampering
- High security tamper resistance - TIR approved

Material

- Pin: Medium carbon steel, zinc plated, clear trivalent passivated
- Collar: Low carbon steel, zinc plated, clear trivalent passivated



Part No. Pin	Part No. Collar	Size Ø	Grip Range		Hole Size	ØB max.	D max.	L ref.	R max.	T max.	Shear (typical) kN	Tension (typical) kN
			min.	max.								
01905-70610	01981-70600	4.8 (3/16")	1.6	15.9	5.16	12.0	2.9	2.3	8.7	10.1	8.25	10.01
01905-70620			7.9	31.7				8.4				
01905-70810	01981-70800	6.4 (1/4")	1.6	15.9	6.75	15.2	3.1	2.2	13.5	13.2	11.79	16.01
01905-70820			7.9	31.7				9.1				

Assembly Applications

- Commercial vehicles
- Heating and ventilation
- Frame building

